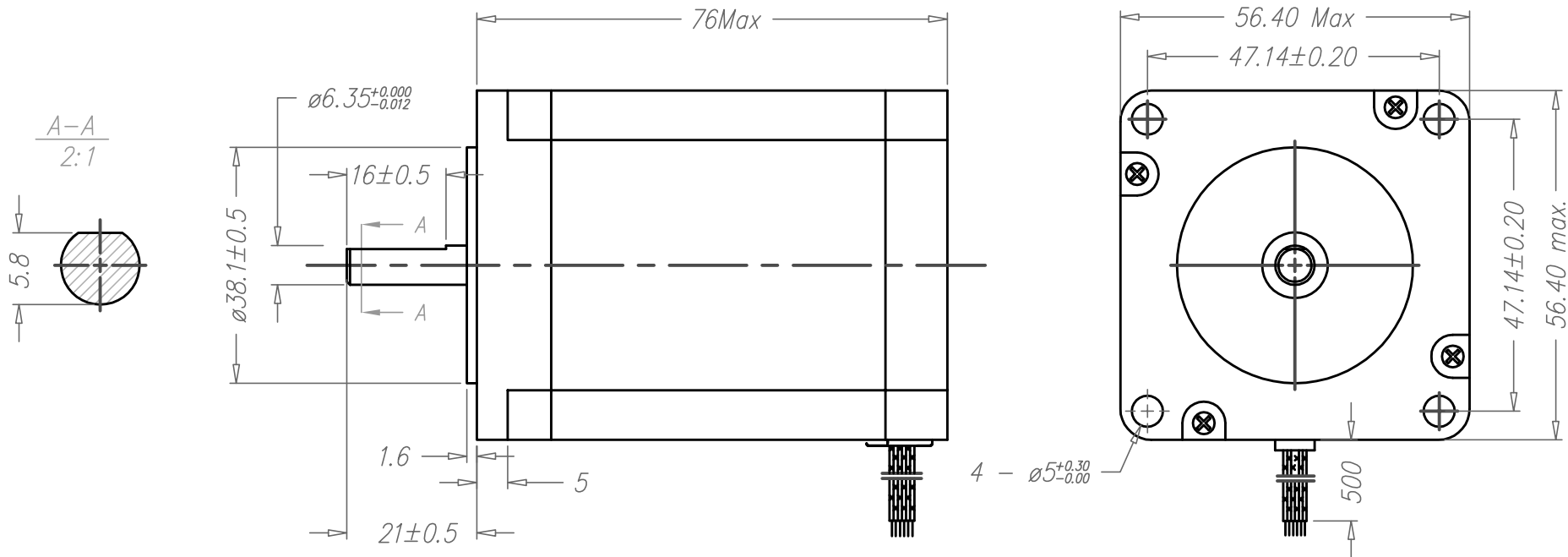
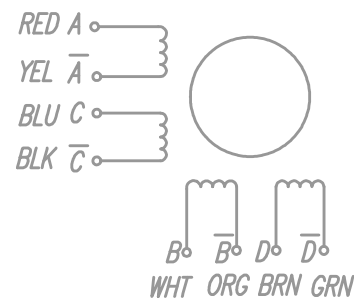


**DIMENSIONS**



**SPECIFICATIONS unit=mm**

**COLORS OF LEAD WIRES BIPOLAR & UNI-POLAR**



PHASE	2	PHASE			
STEP ANGLE	1.8±5%	°/STEP			
DETENT TORQUE	5.5	N.cm Max			
INSULATION CLASS	B				
LEAD STYLE	AWG22 UL1007				
	UNIPOLAR RESP.ONE WINDING	BIPOLAR RESP.BIPOLAR SERIAL	BIPOLAR ONLY PARALLEL		
CURRENT	2.1 A/PHASE	1.5 A/PHASE	3.0 A/PHASE		
RESISTANCE	2.2 ±10% Ω/PHASE	4.4 ±10% Ω/PHASE	1.1 ±10% Ω/PHASE		
INDUCTANCE	4.5 ±20% mH/PHASE	18 ±20% mH/PHASE	4.5 ±20% mH/PHASE		
HOLDING TORQUE	150 N.cm Min	200 N.cm Min	200 N.cm Min		



[www.machinet.com.ar](http://www.machinet.com.ar)

23HS8808  
23HS8108