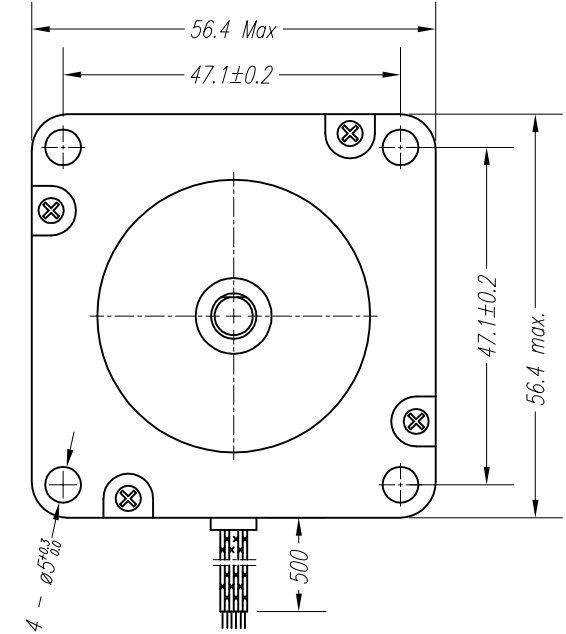
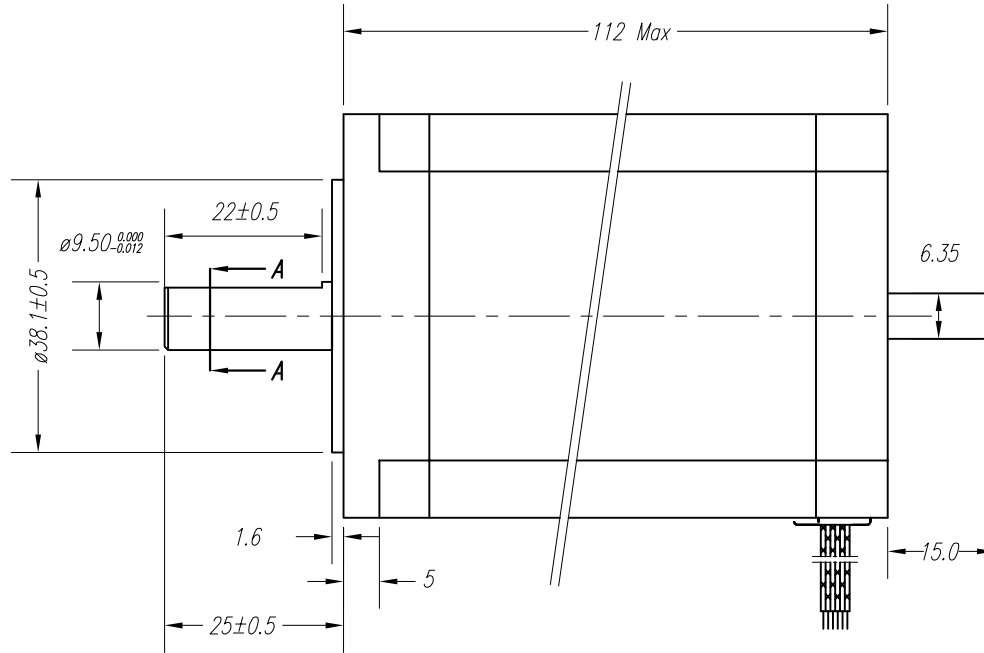
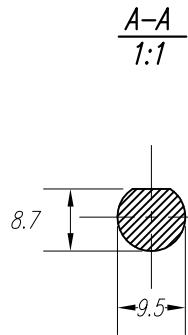


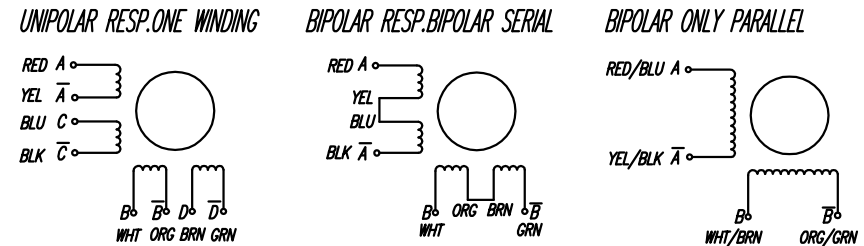
**DIMENSIONS**



SPECIFICATIONS unit=mm

PHASE	2	PHASE	
STEP ANGLE	1.8±5%	°/STEP	
DETENT TORQUE	12	N.cm Max	
INSULATION CLASS	B		
LEAD STYLE	AWG22 UL1007		
	UNIPOLAR RESP.ONE WINDING	BIPOLAR RESP.BIPOLAR SERIAL	BIPOLAR ONLY PARALLEL
CURRENT	2.97 A/PHASE	2.1 A/PHASE	4.2 A/PHASE
RESISTANCE	1.5 ±10% Ω/PHASE	3.0 ±10% Ω/PHASE	0.8 ±10% Ω/PHASE
INDUCTANCE	3.2 ±20% mH/PHASE	12.8±20% mH/PHASE	3.2 ±20% mH/PHASE
HOLDING TOGQUE	200 N.cm Min	280 N.cm Min	280 N.cm Min

COLORS OF LEAD WIRES BIPOLAR & UNI-POLAR



DATE 20090305  
EDIT B



www.machinet.com.ar

REV	QTY.	NO.	SIG.	DT.
DESIGN		20070111	CHECK	
PROC.			APPR.	
CLS.MAK	WEIGHE	SCALE		
EDIT.	PAGE	OF	PAGES	

23HS28210