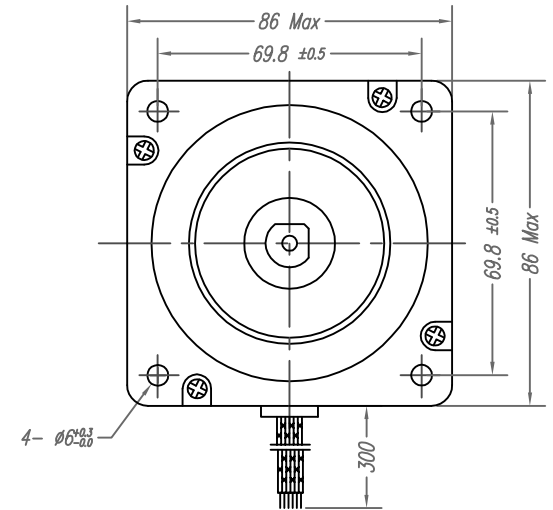
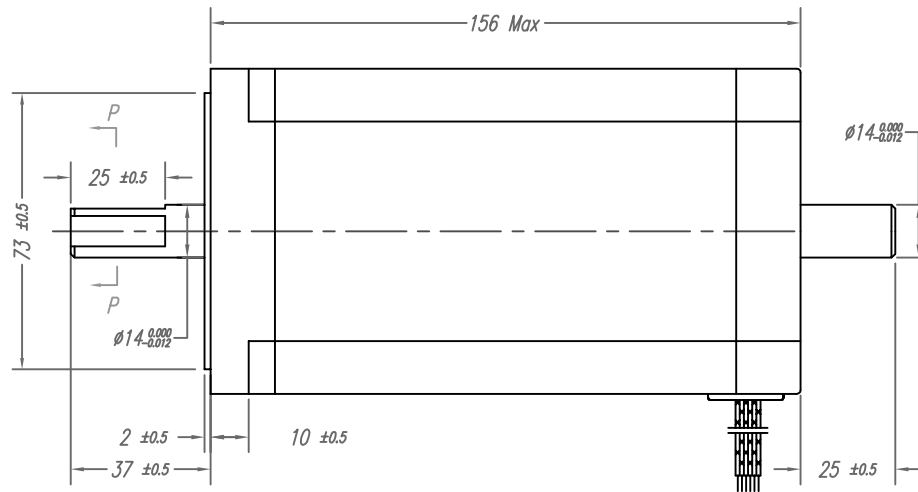
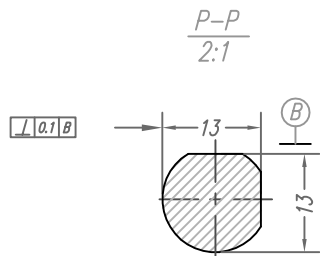


DIMENSIONS

A

B

C



SPECIFICATIONS

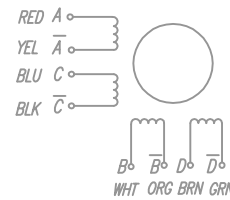
D

E

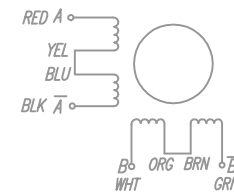
PHASE	2	PHASE	
STEP ANGLE	1.8±5%	°/STEP	
DETENT TORQUE	26	N.cm Max	
INSULATION CLASS	B		
LEAD STYLE	AWG20 UL1007		
	UNIPOLAR RESP.ONE WINDING	BIPOLAR RESP.BIPOLAR SERIAL	BIPOLAR ONLY PARALLEL
CURRENT	3.53 A/PHASE	2.5 A/PHASE	5.0 A/PHASE
RESISTANCE	1.6 ±10% Ω/PHASE	3.2 ±10% Ω/PHASE	0.8 ±10% Ω/PHASE
INDUCTANCE	9.5 ±20% mH/PHASE	38 ±20% mH/PHASE	9.5 ±20% mH/PHASE
HOLDING TOGQUE	850 N.cm Min	1200 N.cm Min	1200 N.cm Min

COLORS OF LEAD WIRES BIPOLAR & UNI-POLAR

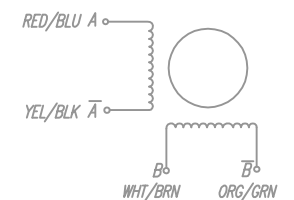
UNIPOLAR RESP.ONE WINDING



BIPOLAR RESP.BIPOLAR SERIAL



BIPOLAR ONLY PARALLEL



DATE 20070106
EDIT A

unit=mm
ESC=2:1



www.machinet.com.ar

20070106

34HS12025
34HS1835

1

2

3

4

5

6

7

8

