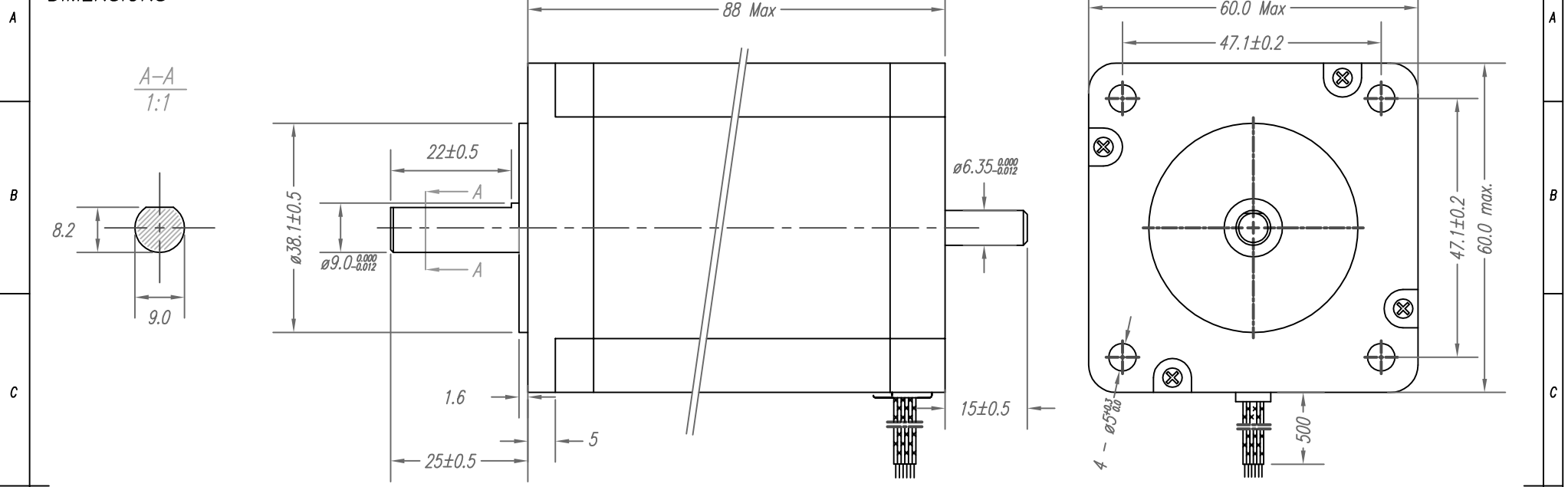


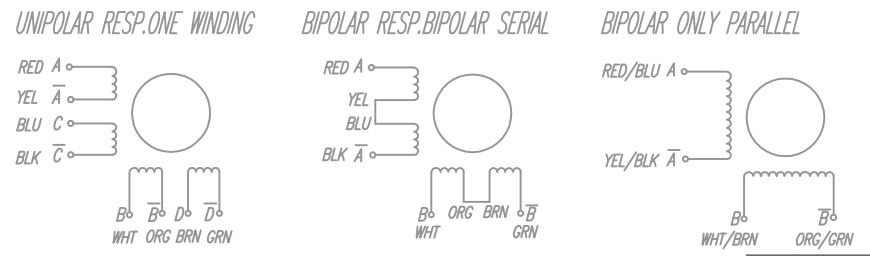
DIMENSIONS



SPECIFICATIONS unit=mm

PHASE	2	PHASE	
STEP ANGLE	1.8±5%	°/STEP	
DETENT TORQUE	12	N.cm Max	
INSULATION CLASS	B		
LEAD STYLE	AWG22 UL1007		
	UNIPOLAR RESP.ONE WINDING	BIPOLAR RESP.BIPOLAR SERIAL	BIPOLAR ONLY PARALLEL
CURRENT	2.97 A/PHASE	2.1 A/PHASE	4.2 A/PHASE
RESISTANCE	1.3 ±10% Ω/PHASE	2.6 ±10% Ω/PHASE	0.63 ±10% Ω/PHASE
INDUCTANCE	3.2 ±20% mH/PHASE	12.8±20% mH/PHASE	3.2 ±20% mH/PHASE
HOLDING TOGQUE	212 N.cm Min	300 N.cm Min	300 N.cm Min

COLORS OF LEAD WIRES BIPOLAR & UNI-POLAR



DATE 20110601
EDIT B



www.machinet.com.ar

24HS3021