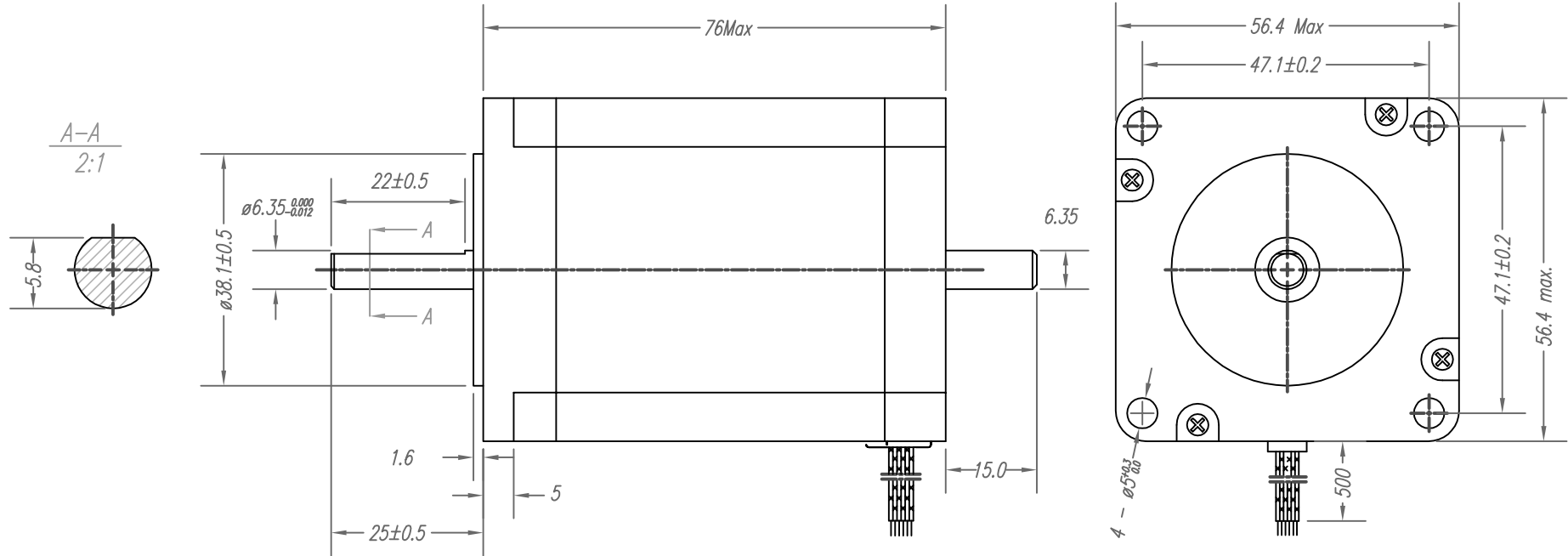


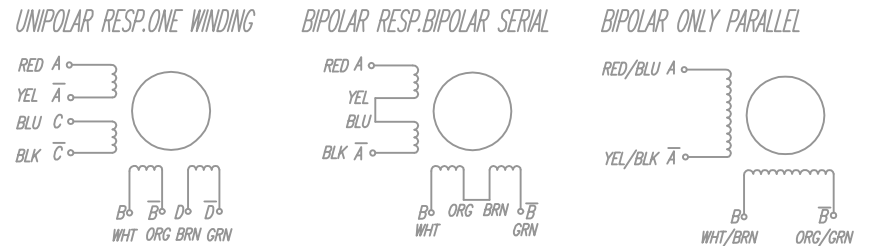
DIMENSIONS



SPECIFICATIONS unit=mm

PHASE	2	PHASE	
STEP ANGLE	1.8±5%	°/STEP	
DETENT TORQUE	12	N.cm Max	
INSULATION CLASS	B		
LEAD STYLE	AWG22 UL1007		
	UNIPOLAR RESP.ONE WINDING	BIPOLAR RESP.BIPOLAR SERIAL	BIPOLAR ONLY PARALLEL
CURRENT	2.97 A/PHASE	2.1 A/PHASE	4.2 A/PHASE
RESISTANCE	1.1 ±10% Ω/PHASE	2.2 ±10% Ω/PHASE	0.55 ±10% Ω/PHASE
INDUCTANCE	1.8 ±20% mH/PHASE	7.2 ±20% mH/PHASE	1.8 ±20% mH/PHASE
HOLDING TOGQUE	150 N.cm Min	200 N.cm Min	200 N.cm Min

COLORS OF LEAD WIRES BIPOLAR & UNI-POLAR



DATE 20090305
EDIT B



www.machinet.com.ar

20070111

23HS2021

23H2021

BI-POLAR

— PULL OUT
● PULL IN RATE

