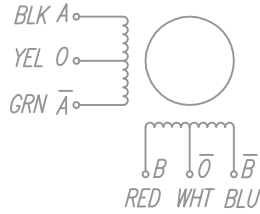


HYBRID STEPPING MOTOR MOD.

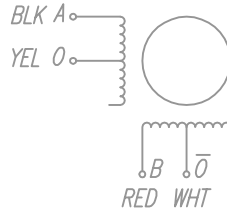
DATE	20070112
EDIT	A

COLORS OF LEAD WIRES *BIPOLAR & UNI-POLAR*

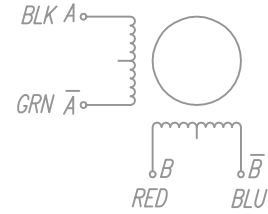
UNIPOLAR RESP. ONE WINDING



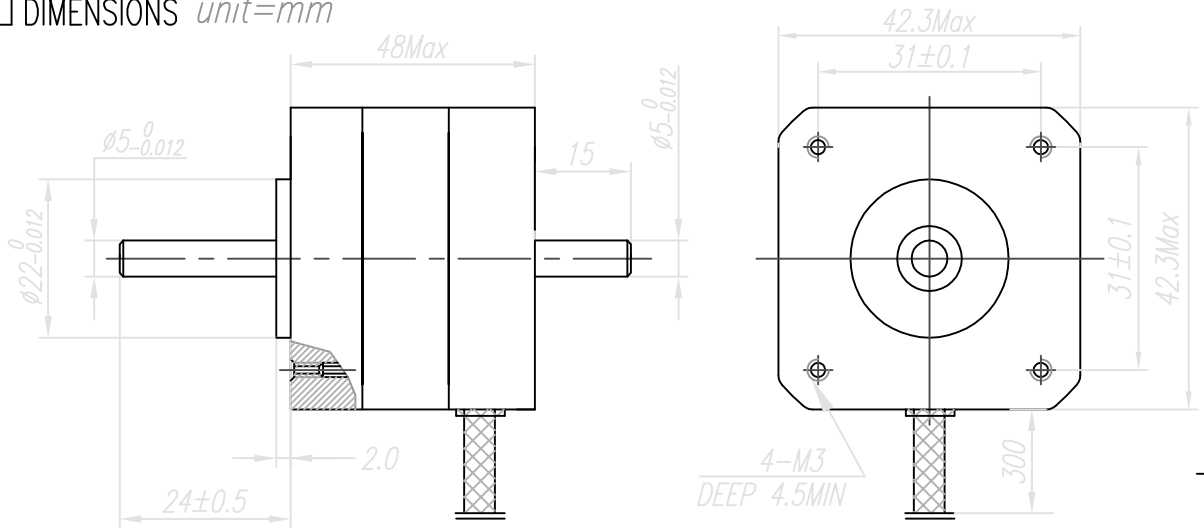
BIPOLAR



BIPOLAR RESP. BIPOLAR SERIAL



DIMENSIONS *unit=mm*



SPECIFICATIONS

PHASE	2	PHASE	
STEP ANGLE	$1.8 \pm 5\%$	°/STEP	
DETENT TORQUE	2.6	N.cm Max	
INSULATION CLASS	B		
LEAD STYLE	AWG26 UL1007		
	<i>UNIPOLAR RESP. ONE WINDING</i>	<i>BIPOLAR</i>	<i>BIPOLAR RESP. BIPOLAR SERIAL</i>
CURRENT	1.2 A/PHASE	1.2 A/PHASE	0.85 A/PHASE
RESISTANCE	$3.6 \pm 10\% \Omega$ /PHASE	$3.6 \pm 10\% \Omega$ /PHASE	$7.2 \pm 10\% \Omega$ /PHASE
INDUCTANCE	$3.2 \pm 20\%$ mH/PHASE	$3.2 \pm 20\%$ mH/PHASE	$12.8 \pm 20\%$ mH/PHASE
HOLDING TOGQUE	34 N.cm Min	34 N.cm Min	48 N.cm Min

20070112

MACHI-NET
Diseño y Automatización Industrial

www.machinet.com.ar

NR

17HS4808
17HS8602N-05

17HS4808

UNIPOLAR

BIPOLAR

— PULL OUT
● PULL IN RATE

