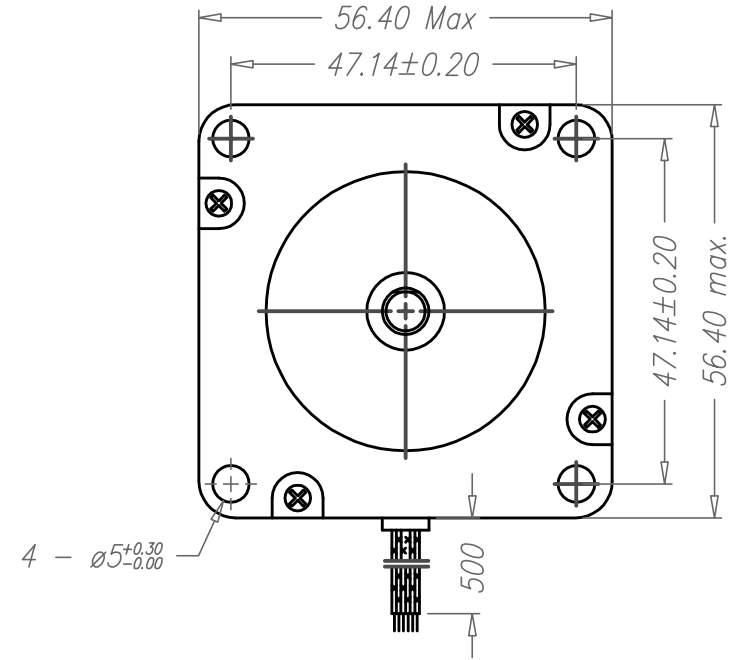
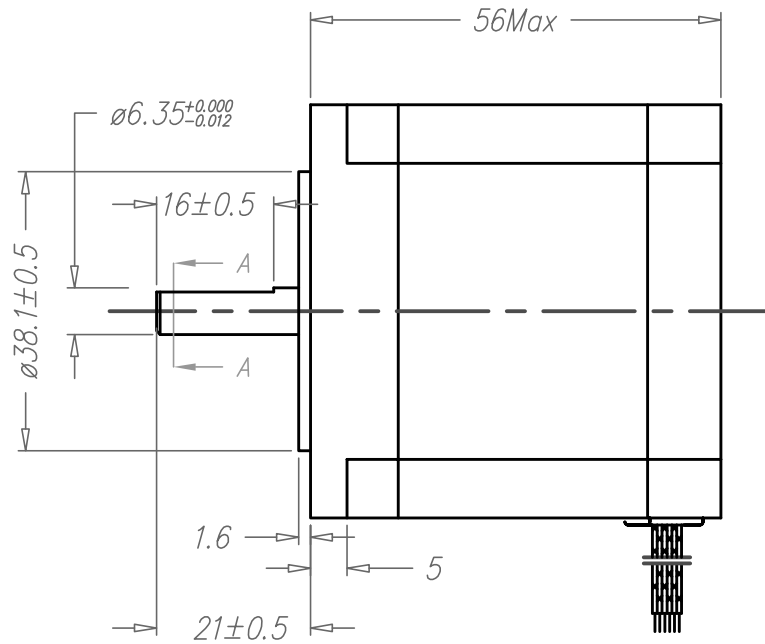
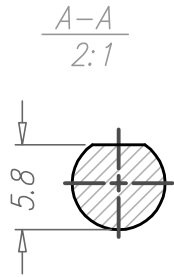
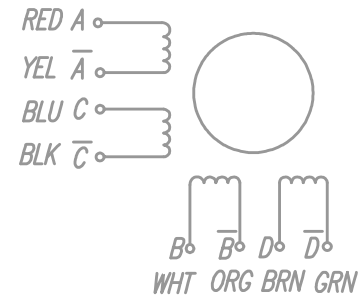


DIMENSIONS



SPECIFICATIONS unit=mm

□ **COLORS OF LEAD WIRES BIPOLAR & UNI-POLAR**



PHASE	2	PHASE		
STEP ANGLE	1.8±5%	°/STEP		
DETENT TORQUE	3.5	N.cm Max		
INSULATION CLASS	B			
LEAD STYLE	AWG22 UL1007			
	Dielectric strength : 500 VDC			
	UNIPOLAR RESP.ONE WINDING	BIPOLAR RESP.BIPOLAR SERIAL	BIPOLAR ONLY PARALLEL	
CURRENT	2.1 A/PHASE	1.5 A/PHASE	3.0 A/PHASE	
RESISTANCE	1.5 ±10% Ω/PHASE	3.0 ±10% Ω/PHASE	0.75 ±10% Ω/PHASE	
INDUCTANCE	3.0 ±20% mH/PHASE	12 ±20% mH/PHASE	3.0 ±20% mH/PHASE	
HOLDING TOGQUE	70 N.cm Min	80 N.cm Min	130 N.cm Min	



www.machinet.com.ar

23HS6808
23HS5608